

RUN WITH RAM TRAILER



FUEL TANKER GROUP

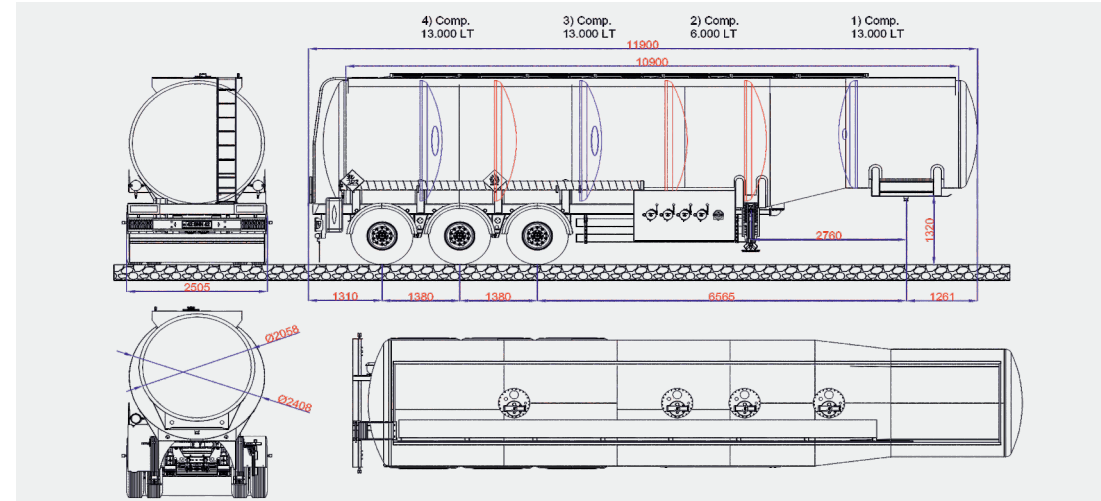
45.000 LT STEEL FUEL TANKER SEMI TRAILER



TECHNICAL SPECIFICATION

45.000 LT STEEL FUEL TANKER SEMI TRAILER

Fifth Wheel Height	—1320mm. Suitable for 6x4 truck
Body	—Cylindrical BODY
King Pin	—2" king – pin detachable from below made by SAE standards 8 bolt type.
Volume	—Gross Volume %5: 45.000 lt —Volume 45.000 lt —Empty Weight 11.000kg —The Density Of Product 0.78gr/cm2 —FIVE Compartment —Deisel 38000 lt. —Benzin: 40000lt.
Axles	—4 x 12000 kg carrying capacity TURKISH Drum Axle brand
Distance between Axles	—1320 mm
Brake and Suspension System	—Front 1 axel AIR Suspension —Last 3 axel MECHANICAL Suspension — Drum Brake System — ABS WABCO Brake System
Landing Gears	—Double Speed, —24000 kg carrying capacity, — QRC brand mechanical Landing Gears.
Rear Bumper	—Suitable 70/221 / AT-version of the rear bumper,
The rear overhang	—Distance from the end of the tank on the bumper should be more than 100mm
Wheel Chock	—Carriers with 1 unit wheel chock
Tires & Wheels	—8+1 PCS 385 65R 22,5 — SAWA OR KELLY (GOODYEAR) BRAND-LASSA(BRIDGESTONE) BRAND
Loading, unloading System	—Suitable for loading from top, 5 pcs bottom valve TURKISH BRAND —In the lock box on the LEFT side of tanks 5 PCS VALVE discharge VALVE and Diameter of 4" inches (in locked Box) —FIVE pcs. 500mm manhole cover WITH SEALING SYSTEM AND to be suitable for loading from top MENHOLE IS TURKISH MENHOLE BRAND
Overfill Pool	— It is design for prevention of spilling fuel all over the tank body and overfill fuel is disposed by two drain hoses mounted on the rear side of the tanker body connected to the disposal tank that have discharge valve.
Walking Platform(Cat walk)	—The rough surface on the side with all the length of the pool within antiskid walking paths, — The ladder should be located on FRONT —Two side protective barrier
Mudguard	—1 pcs mudguards with plastic edges.
Spare Tire Carrier	—Spare tire REDUCTOR TYPE with TWO spare
Box	—1 unit Plastic Tool Box, —1 unit Discharging Box (LEFT side of the Tanker), — 2 units each of 6 kg of fire tube with holder
Hoses	—2 units 3" hoses with carrier
Paint	—Material surface are cleaned by grit metal and send how shot is blasted on the surfaces of the metal. —2 Floor Epoxy primers are made and paint will be choose on demand of the customer,



RAM İTHALAT İHRACAT İNŞAAT NAKLİYAT SANAYİ VE TİCARET LİMİTED ŞİRKETİ

Fevzi Çakmak Mahallesi 10753. Sokak KOBİSAN-2 No: 42G Karatay / KONYA

www.ramtreyler.com

info@ramtreyler.com

ramtreyler

+90 552 642 12 84

+255 752 914 241

Tanzania Service and Spare Parts Sales Point



RAM TREYLER, reserves the right of making changes in the technical specifications and components without making any prior notice. Some components seen on the photographs and specifications seen here may not be standard features of the vehicles. There may have been some changes after publication of this document. No right can be claimed on a sign or numbers used by seller or buyer to define a product on ordering. Differences in colors are due to printing techniques.



TSEK

