

RUN WITH RAM TRAILER



CEMENT GROUP

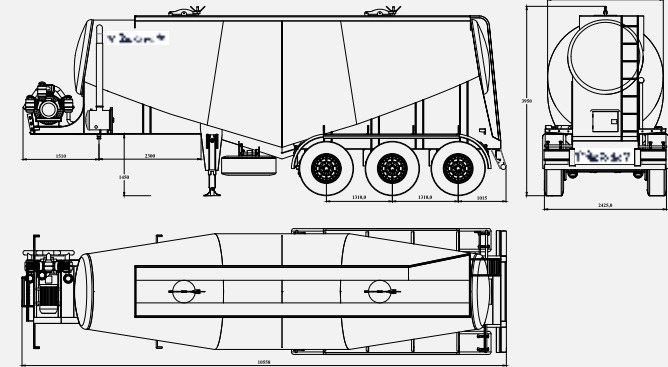
CEMENT SEMI TRAILER



TECHNICAL SPECIFICATION

CEMENT SEMI TRAILER

Length & Truck Tractor Type	—11300mm suitable for 6 x 4 Truck Tractor
Width	—2550 mm
Height of the syllabus	—4000 mm
Chassis	—The chassis of the syllabus semi-trailer is integrated with connection pads welded of the body of the tank shell.
King Pin	—2" or 3, 5"king – pin detachable from below made by SAE standards 8 bolt type.
Loading Capacity	—32m3
Tank Construction	—Tank is "V" shape. Tank is built by carbon steel ST37 with thickness of 4 mm with thickness of 5 mm front and back baffles
Menhole Covers	—2 units, 450 mm diameter heavy duty screw type loading covers (top loading cover)
Discharging Valves	—1 unit leaf valve, 1 unit ball valve for speeding the discharging and 4 " discharging system
Hoses and Connections	—6 mt special alloy discharge hose and 2 unit regulated to 2.5 bar safety valve and inside the tank including 110 mm diameter with air conduit imported hose. Upper catwalk and Access ladder is set to trailer
Safety Accessories	Upper catwalk and Access ladder is set to trailer
Brake & Suspension System	—MECHANICAL Suspension or AIR SUSPENSION —Drum Brake System —PNEUMATIC Brake System Or ABS OR EBS BREAK SYSTEM
Landing Gear	—Double Speed, —24000 kg carrying capacity, —OMS brand mechanical Landing Gears,
Rear Bumper	— Suitable 70/221 / AT-version of the rear bumper,
Chocks and Protective Barriers	—Carriers with 1 unit wheel chock
Tires and Rims	—12 PCS +1 12 R 22,5 or single tires customer choses
Spare Wheel Carrier	—1 piece tire carrier
Boxes	—1 unit Tool Box, —1 units of 6 kg of fire tube and plastic carriers
Water Tank	—30 lit water tank
Paint	—Material cleaned and grit (metal) material is blasting, —2 Floor Epoxy primers are made and the desired color, —In the final layer is painted with 2 coats acrylic paint,
Electrical System	—There are amber-colored lights in the side by 3 units, —Park at the rear lamps, —License plate lamp, —Reflector triangles, —Electrical system; Flame proof electrical system —2 X 7-pin electrical socket.
Accessories	—Hub key, —Axles Bolt Nut key, —Tool box keys,
Type of the Compressor	—DIESEL Compressor or electrical compressor



RAM İTHALAT İHRACAT İNŞAAT NAKLİYAT SANAYİ VE TİCARET LİMİTED ŞİRKETİ

Konya Organize Sanayi Bölgesi Gönülveren Sok No : 20/5 Selçuklu / KONYA

www.ramtreyler.com

info@ramtreyler.com

ramtreyler

+90 552 642 12 84

+255 752 914 241

Tanzania Service and Spare Parts Sales Point



RAM TREYLER , reserves the right of making changes in the technical specifications and components without making any prior notice. Some components seen on the photographs and specifications seen here may not be standard features of the vehicles. There may have been some changes after publication of this document. No right can be claimed on a sign or numbers used by seller or buyer to define a product on ordering. Differences in colors are due to printing techniques.



TSEK

